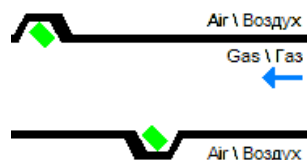


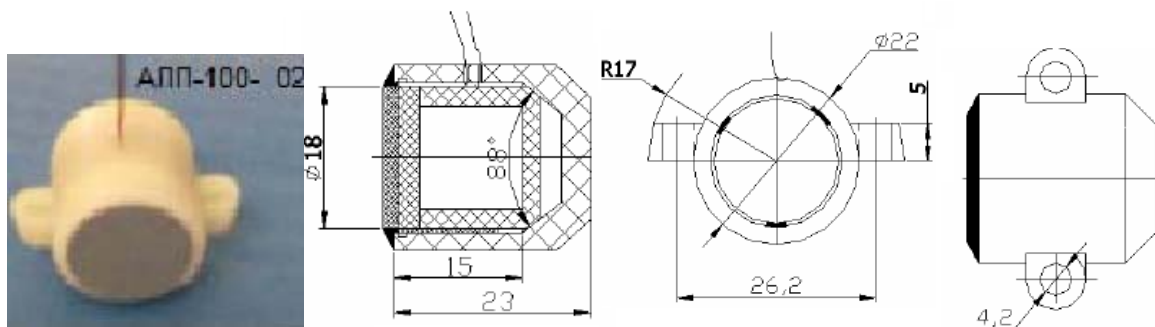
Aterma - Export

**Ultrasonic sensors
(Ultrasonic
transducers
impulse electric
signal in acoustics
and back (For gas
and air)**

APP100-02



(Piezoelectric
converters - PEC)



APP100-02 piezoelectric ultrasonic active converters are intended for:

transformation of impulse electric excitation signal into acoustic signal, its emission into gas environment and inverse transformation of received acoustic signal into electrical signal.

APP100-02 converter is used in ultrasonic gas counters.

APP100-02 converter can be used in natural gas environment. APP100-02 converter has plastic box, which eliminates gas environment intrusion into current-carrying parts.

Special materials, that improve efficiency of electroacoustic transformation in gas environment, are used in its construction.

Converter is set in tube.

APP100-02 converter is no repairable and unmendable.

Normally a couple of converters of selected technical characteristics is supplied.

Selection of the emitter couple is carried out in measuring pipe, whose inner diameter is 18 mm when path length is (160+0,2) mm.

Converters are used in gas flowmeters (for pipes under 1 000 mm), headers, ultrasonic gas counters, flues, torches and etc.

Operating mode of converter is impulsive.

«Aterma Export» ltd.
Russia, Yekaterinburg,
Rastochnaya str. 44-211
Tel/Fax.+7(343) 2980343
Mob.+7(919) 3914801
Email: psc@olympus.ru
<http://www.termokub.ru>

Technical characteristics:

rating output signal amplitude of first positive half-wave when single monitoring pulse of negative polarity amplitude is 45V	9 mV
operation temperature.....	-50 /+50 °C
limit of admissible absolute error	± 1 mV
electric capacitance of piezoactive element of converter.....	200 ± 44 pF
operative resonance frequency.....	95-115 kHz
pressure of operating environment.....	under 0,2MPa

